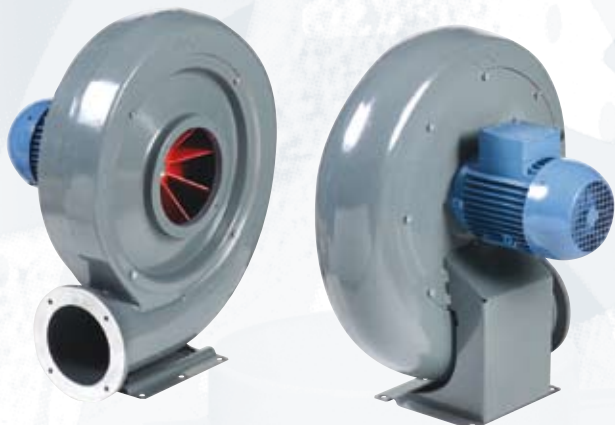




# CENTRIFUGAL SINGLE INLET FANS

## CBT-N Series



CBT-40, 60N, 80N, 100N and 130N models.



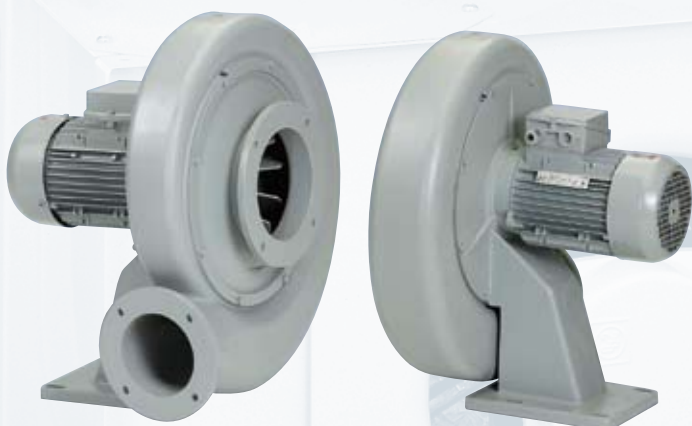
CONTINUOUS operation

Range of single inlet direct driven centrifugal fans designed for the continuous extraction of air stream up to 120°C (1).

The casings are manufactured from one piece die cast aluminium and finished with a tough, grey colour, epoxy-polyester paint coating.

All models incorporate radial centrifugal impellers manufactured from die cast aluminium and finished in a red colour epoxy-polyester paint finish. Available with motors in 2 poles.

(1) CSB Models: up to 70°C.



CBT-40, 60N, 80N, 100N and 130N models.

### Motors

All motors are IP55 class F (1), with ball bearings greased for life.

Electrical supply:

Single phase 230V-50Hz.

Three phase 230/400V-50Hz and 400V-50Hz.

(See characteristics chart).

(1) CSB and CST Models: IP44 and Class B.

### Additional Information

The scroll can be orientated (1) in 7 different positions as per the table below.

Standard supplied position: LG270.

(1) CSB and CST Models: only can be supplied in LG270 position.

**On request, explosion proof versions in accordance to ATEX Directive for three phase models:**

- Increased safety II2G EExII T3 (only CBT-100 and CBT-130 models).

- Flame proof (except CBT-40 and CST-60 models).

II2G EExdIIB T5 or EExdIIC T4.

II3D Ex tD 125°C or 135°C.

Working temperatures up to 40°C.

### On request

Fan fitted with 2-speed motor.

### Tough casing design



Scroll made in one piece aluminium die casting

### Impellers dynamically balanced

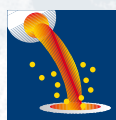


Radial centrifugal impellers dynamically balanced, according to ISO 1940 standard, providing vibration free operation

## APPLICATIONS



Commercial or industrial drying installations



Iron and steel industries Foundries



Garages



Cooling of motors or electrical machines



Materials transport



Applications in machinery



CONTINUOUS operation



Industrial suction machine



Packaging machines



Graphical machinery



Amusement machines

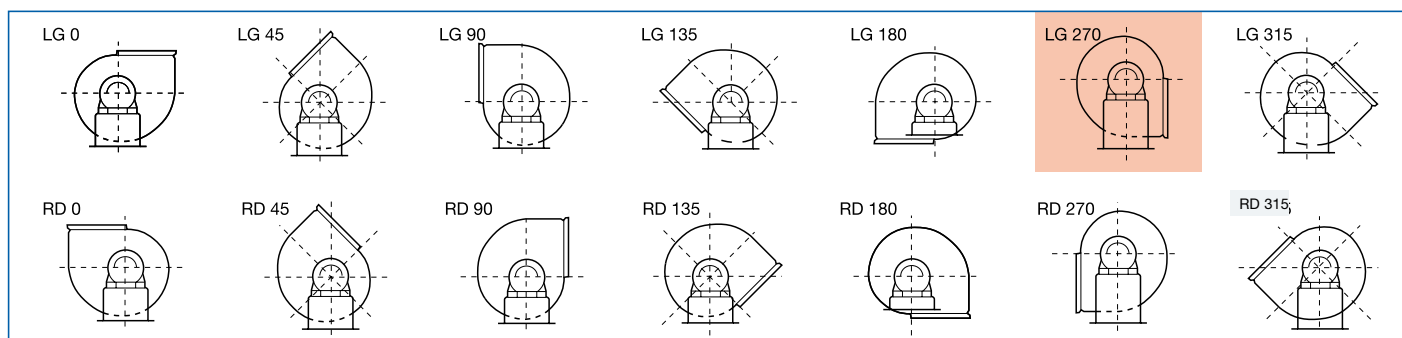


Textile machinery



VERSIONS

## P O S I T I O N S



Standard supplied position: LG 270.  
It is possible to obtain all other positions (LG and RD) by adjusting the scroll.

### ■ Technical characteristics

Before installation check that the product electrical characteristics listed on the data plate label (Voltage, power, frequency etc) match those of the intended electrical supply.  
\* Average sound pressure levels, measured at 1,5 meters in dB(A) in open air, at the inlet side of the fans.

Model	Speed (r.p.m.)	Outlet diameter (mm)	Motor power (kW)	Motor ins. Class	IP protection	Max. Air stream temp. C°	Maximum absorbed current		Max. air volume (m <sup>3</sup> /h)	Sound pressure level** dB(A)	Weight (kg)	ATEX version Yes/No	Inverter controller	
							230 V	240 V					VFTM***	VFKB***
<b>SINGLE PHASE</b>														
CSB-60	2750	60	0,20*	B	IP44	70	1,2	-	310	69	6,6	-	-	-
CBB-60N	2800	60	0,18	F	IP55	120	1,18	-	400	69	10,0	-	-	-
CBB-80N	2800	80	0,37	F	IP55	120	2,2	-	730	71	13,5	-	-	-
CBB-100N	2800	100	0,75	F	IP55	120	3,9	-	1250	78	18,5	-	-	-
<b>THREE PHASE</b>														
CBT-40	2800	40	0,25*	B	IP44	120	0,75	0,43	250	78	10,0	No	-	-
CST-60	2750	60	0,18*	B	IP44	120	0,67	0,39	310	69	6,5	No	-	-
CBT-60N	2800	60	0,18	F	IP55	120	1,09	0,63	400	69	10,5	Yes	VFTM TRI 0,37	VFKB 45
CBT-80N	2800	80	0,37	F	IP55	120	2,10	1,21	730	71	14,5	Yes	VFTM TRI 0,37	VFKB 45
CBT-100N	2800	100	0,75	F	IP55	120	2,90	1,70	1250	78	19,5	Yes	VFTM TRI 0,55	VFKB 45
CBT-130N	2800	130	1,1	F	IP55	120	4,30	2,50	1910	80	27,5	Yes	VFTM TRI 1,1	VFKB 45
CBT-125	2800	125	2,2	F	IP55	80	8,00	4,60	2000	76	31	No	VFTM TRI 2,2	VFKB 48
CBT-160	2800	160	3,0	F	IP55	80	11,30	6,50	2700	80	44	No	VFTM TRI 3	VFKB 48
CBT-170	2800	170	4,0	F	IP55	80	-	7,80	3800	81	55	No	VFTM TRI 4	VFKB 48

\*Motor absorbed power.

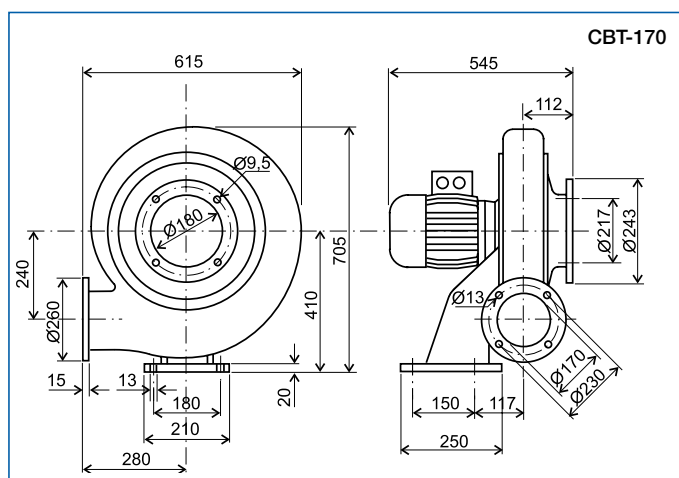
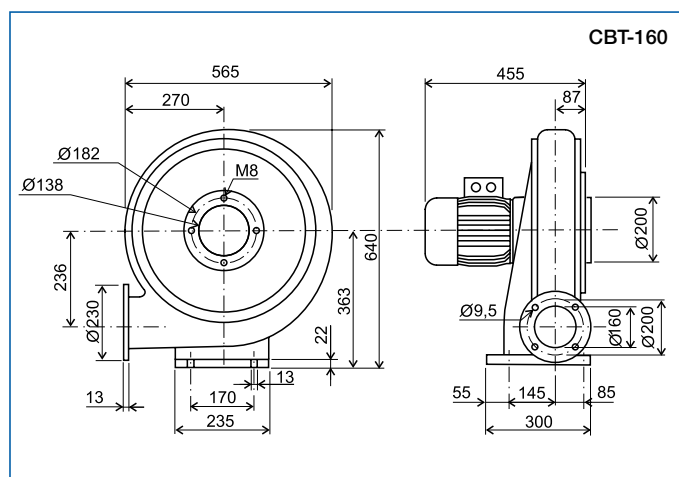
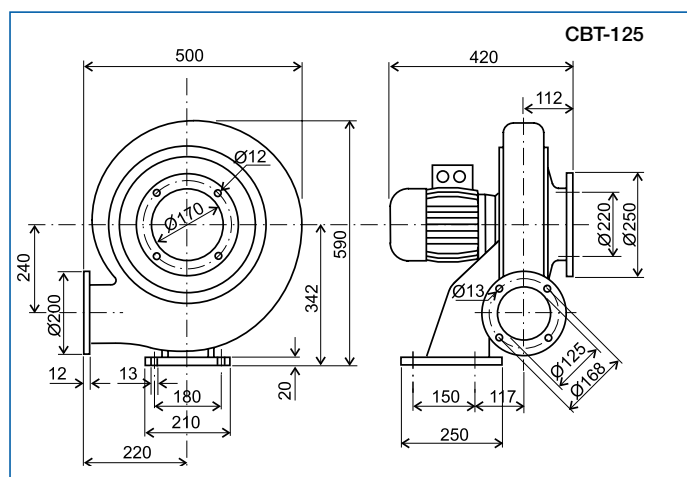
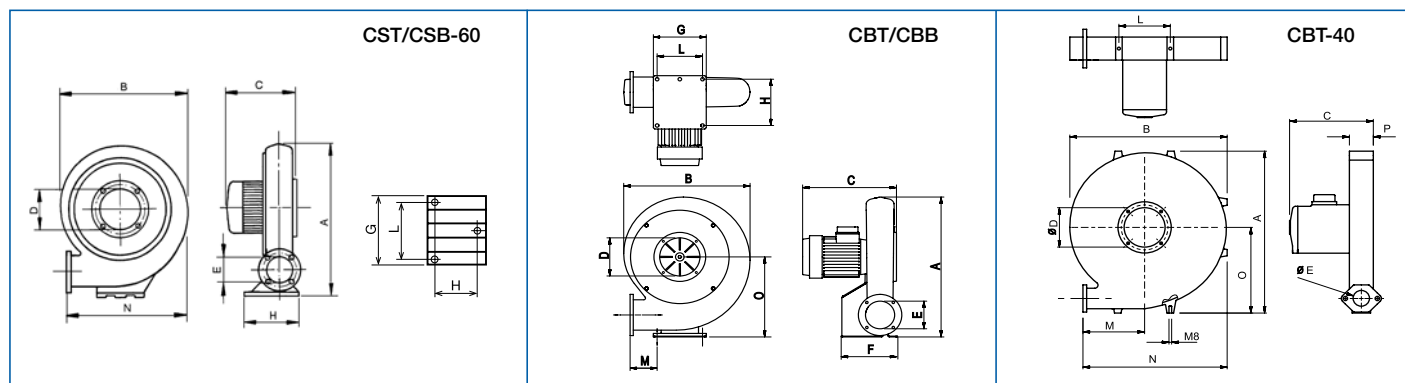
\*\*Sound pressure dB(A), measured in free field conditions at a distance of 1,5 meters.

\*\*\* VSD supply: Three phase 400V



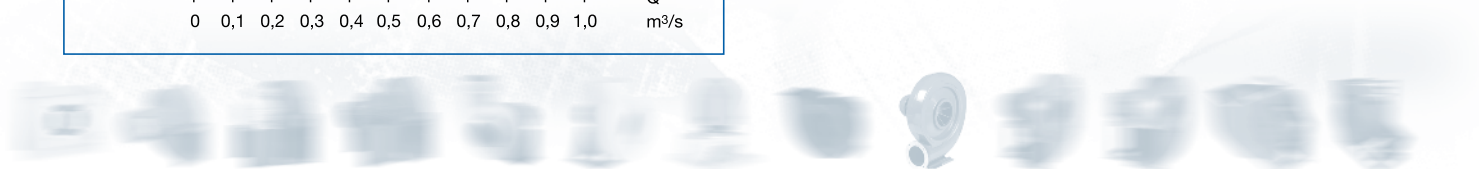
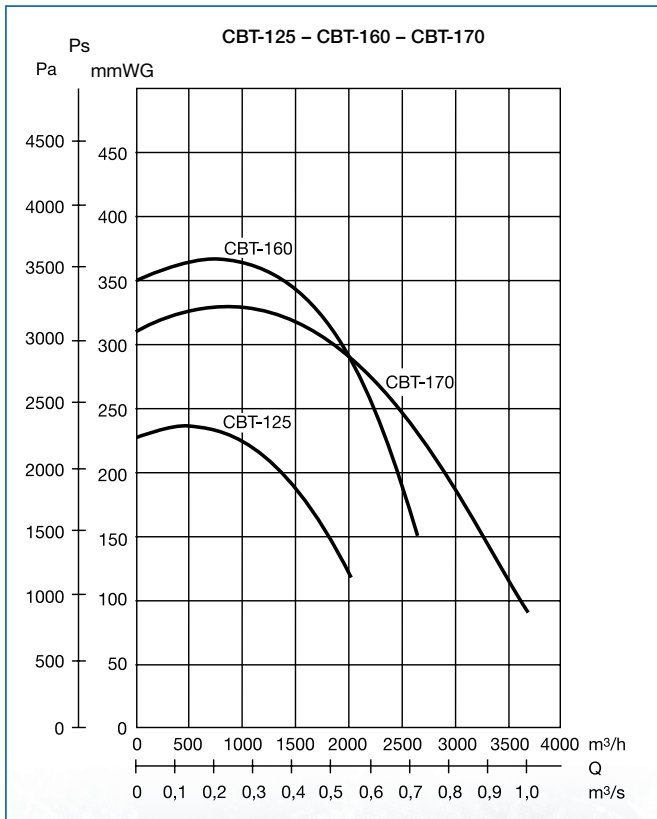
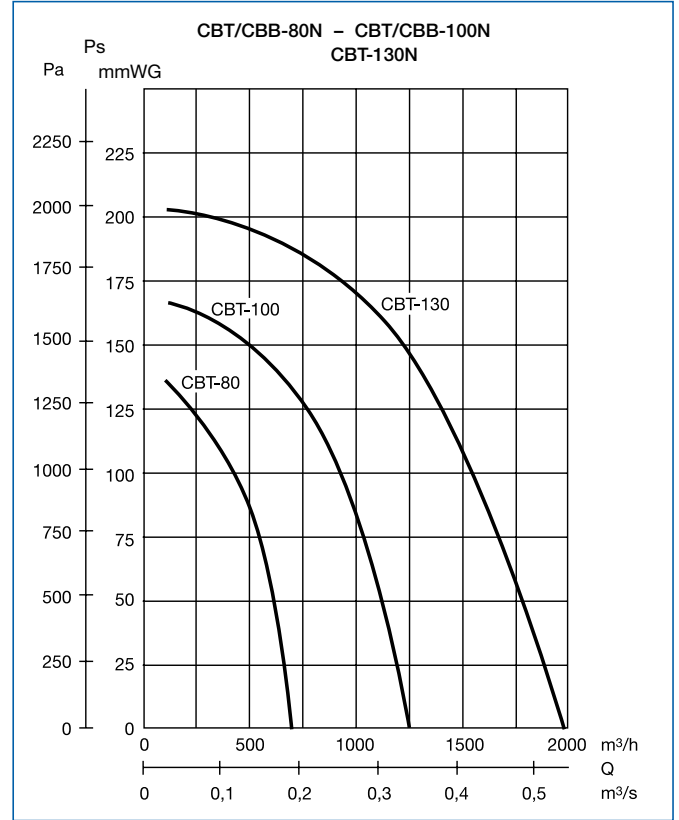
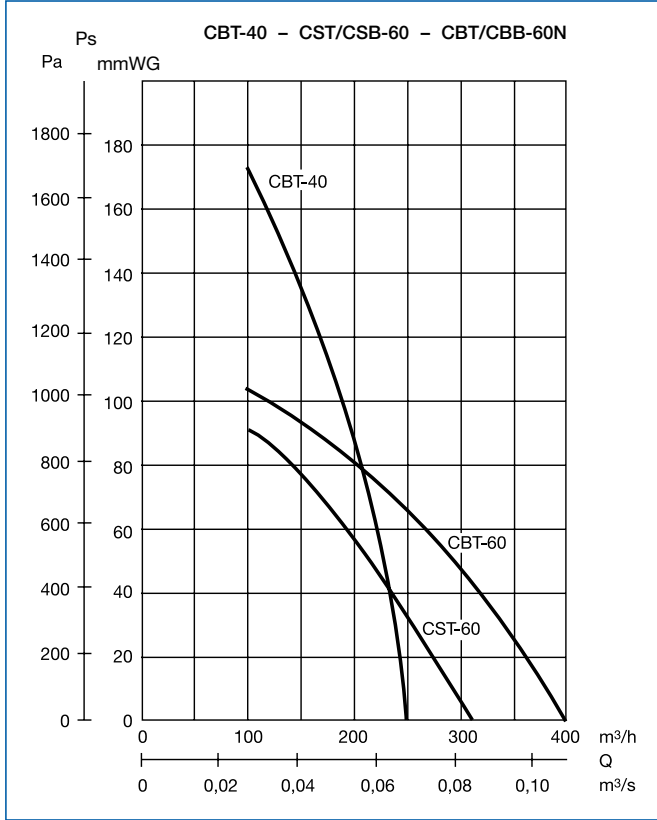
## ■ Dimensions (mm)

Model	A	B	C	Ø D	Ø E	F	G	H	L	M	N	O
CST/B-60	327	281	165	110	60	150	120	110	60	135	291	190
CBT-40	411	385	197	114	40	52	-	-	128	150	352	217
CBT/CBB-60N	375	332	258	110	60	120	122	98	100	97	324	206
CBT/CBB-80N	450	390	286	125	80	142	140	120	118	97	374	256
CBT/CBB-100N	511	434	328	140	100	196	184	170	158	101	415	294
CBT/CBB-130N	603	508	353	160	130	211	230	185	204	88	480	348



## ■ Performance curves

- Q = Air volume in, m<sup>3</sup>/hr and m<sup>3</sup>/s.
- Ps = Static pressure in mmWG and Pa.
- Dry air at 20°C and 760 mmHg.
- Performance data in accordance with ISO 5801 and AMCA 210-99 Standards.

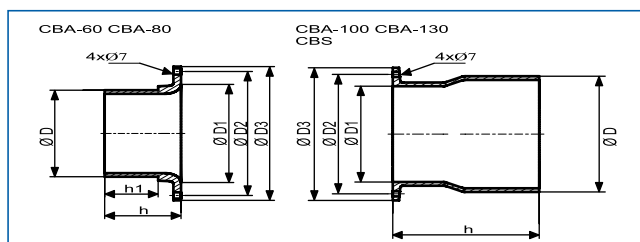


## ■ Mounting accessories



**CBA/CBS** Circular connection flanges

Model	To mount on	Diameter (mm)
CBA-60	Inlet CBT-60N	Ø 100
CBA-80	Inlet CBT-80N	Ø 125
CBA-100	Inlet CBT-100N	Ø 160
CBA-130	Inlet CBT-130N	Ø 200
CBS-60	Outlet CBT-60N	Ø 100
CBS-80	Outlet CBT-80N	Ø 125
CBS-100	Outlet CBT-100N	Ø 160
CBS-130	Outlet CBT-180N	Ø 200



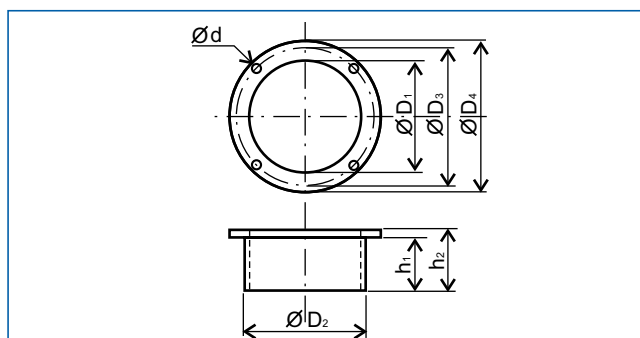
Model	D	D1	D2	D3	h	h1
CBA-60	97	110	139	150	50	35
CBA-80	122	125	147	165	50	35
CBA-100	157	130	162	180	116	-
CBA-130	197	150	180	200	132	-
CBS-60	97	60	80	95	104	-
CBS-80	122	80	105	123	128	-
CBS-100	157	100	130	150	140	-
CBS-130	197	130	165	190	146	-



**CBA-125/CBA-160/CBA-170**  
Circular inlet flanges for  
CBT-125 / CBT-160 / CBT-170 models

**CBS-125/CBS-160/CBS-170**  
Circular discharge flanges for  
CBT-125 / CBT-160 / CBT-170 models

Model	To mount on	Diameter (mm)
CBA-125	Inlet CBT-125	Ø 125
CBA-160	Inlet CBT-160	Ø 160
CBA-170	Inlet CBT-170	Ø 170
CBS-125	Outlet CBT-125	Ø 125
CBS-160	Outlet CBT-160	Ø 160
CBS-170	Outlet CBT-170	Ø 170



Model	D1	D2	D3	D4	h1	h2	d
CBA-125	170	180	220	250	70	80	12
CBS-125	125	140	168	200	70	80	12
CBA-160	148	160	182	200	70	80	9
CBS-160	160	170	200	230	70	80	10
CBA-170	180	190	217	243	70	80	12
CBS-170	170	180	230	260	70	80	13



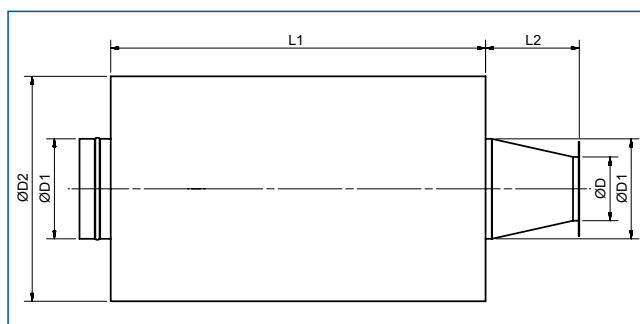
**DEF/KRJ** Inlet guard

Inlet guard	Model CBT
DEF-100T	40
KRJ-120	60
KRJ-140	80
DEF-140T	100
KRJ-160	130



**KBTA**  
Sound attenuators to mount at CBT inlet models.

**KBTI**  
Sound attenuators to mount at CBT outlet models.



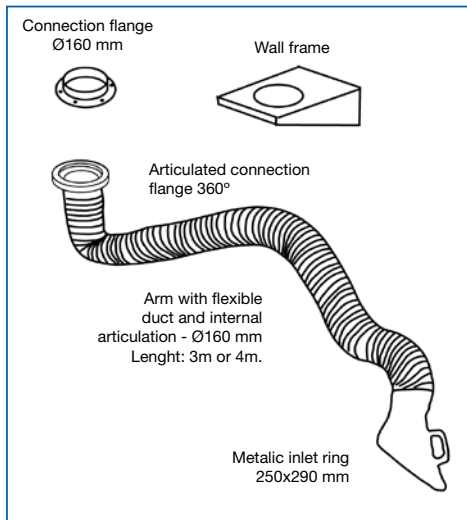
CBT model	KBTA model	KBTI model	L1	L2 (KBTA)	L2 (KBTI)	D (KBTI)	D (KBTA)	D1	D2
60	KBTA-60	KBTI-60	600	100	100	60	100	100	300
80	KBTA-80	KBTI-80	600	100	100	80	125	125	325
100	KBTA-100	KBTI-100	600	100	150	100	160	160	360
130	KBTA-130	KBTI-130	600	150	150	130	200	200	400



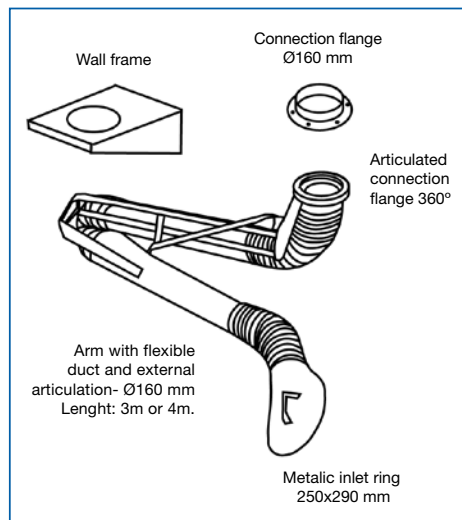
**BF – BM series**

Articulated Arms for extraction of welding fumes.  
 Temperature up to 70°C.  
 Easy to manipulate.  
 2 models.  
 2 sizes 3 or 4m.  
 From 300 to 1200m<sup>3</sup>/h.

BF Configuration - Elements:



BM Configuration - Elements:



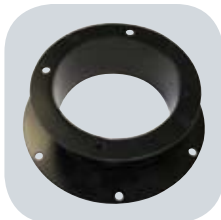
**Installation with direct connection to the fan inlet: Fan + special connector + Arm**

Fan

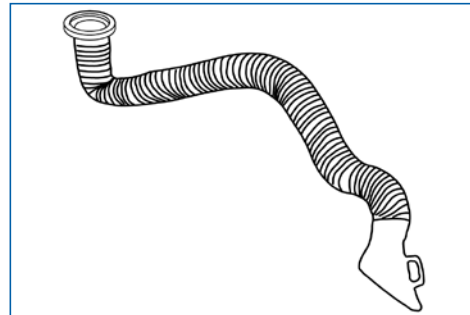


Recommended fan to use is CBB/CBT-100N

CBS 100 E5 connector

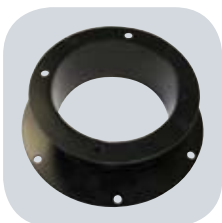


Arm

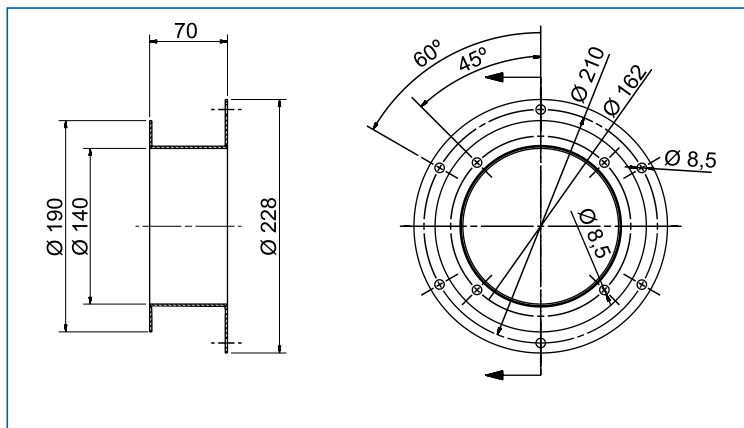


BF or BM articulated arm

**CBS 100 E5 connector (as accessory)**



Connector in steel with flanges to suit arm and fan inlet.



\* For more information see **MOUNTING ACCESSORIES**.